

CLAVERACK RURAL ELECTRIC COOPERATIVE, INC.

32750 SR 6

WYSDX, PENNSYLVANIA 18854

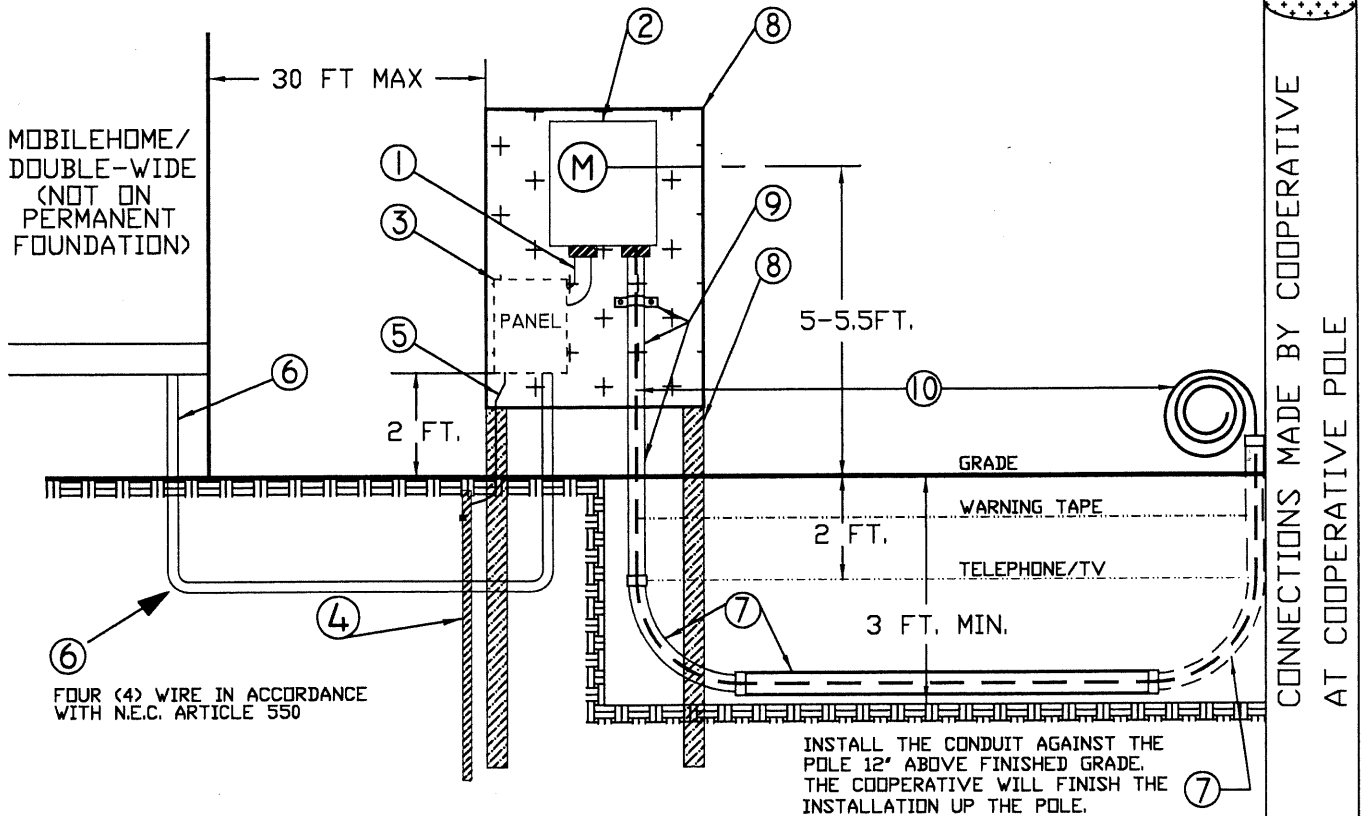
(570) 265-2167 OR 1 (800) 326-9799

INSTALLATION REQUIREMENTS FOR UNDERGROUND PEDESTAL MOUNTED SERVICES FOR MOBILE HOMES AND DOUBLE-WIDE APPLICATIONS

IMPORTANT:

ALL INSTALLATIONS MUST BE INSPECTED AND APPROVED BY THE MUNICIPALITY APPROVED INSPECTION AGENCY (PER UCC CODE) BEFORE THE SERVICE CAN BE ENERGIZED.

ALL INSTALLATIONS TO BE IN ACCORDANCE WITH THE NATIONAL ELECTRICAL CODE SEE SPECIFICATIONS FOR UNDERGROUND SERVICE INSTALLATION FOR TRENCH REQUIREMENTS



FURNISHED AND INSTALLED BY MEMBER

- ① MEMBER OWNED SERVICE ENTRANCE CABLE OR SERVICE ENTRANCE CONDUCTORS IN APPROVED CONDUIT, 200 AMP - 4/0 ALUMINIUM OR 2/0 COPPER INHIBITOR COMPOUND USED ON ALL ALUMINIUM WIRE TERMINATIONS
- ② MEMBER OWNED 4 JAW UL APPROVED RINGLESS TYPE OFFSET METERBASE WITH WEATHER TIGHT HUBS AND BY-PASS HORNS, 200 AMP. MINIMUM. DO NOT USE BOTTOM CENTER KNOCKOUT.
- ③ MEMBER OWNED SERVICE EQUIPMENT - MINIMUM 200 AMP WITH 6 BREAKER SPACES MINIMUM. RAINPROOF (NEMA 3R)
- ④ 5/8 INCH X 8 FOOT COPPERWELD OR GALVANIZED GROUND ROD(S).
- ⑤ GROUND WIRE #4 BARE COPPER FOR A 200 AMP INSTALLATION WHERE AVAILABLE. SERVICE SHOULD ALSO BE GROUNDED TO WELL CASING OR UNDERGROUND METALLIC WATER PIPING SYSTEM. GAS OR FUEL OIL PIPING SHALL NOT BE USED AS A GROUNDING ELECTRODE. BONDING: SEE N.E.C. ARTICLE 250
- ⑥ CONDUIT WITH 4 WIRE CABLE
- ⑦ 3 INCH SCHEDULE 40 PVC ELECTRICAL CONDUIT WITH (2) SCHEDULE 40 PVC 24 INCH MINIMUM RADIUS SWEEPS.
- ⑧ 3/4 INCH EXTERIOR PLYWOOD OR EQUIVALENT IN STRENGTH PRESSURE TREATED LUMBER WITH MINIMUM 4 INCH X 4 INCH TREATED TIMBERS AT A DEPTH OF 48 INCHES (4 FT.)
- ⑨ 3 INCH STANDARD THREADED CONNECTOR ASSEMBLY, 3 INCH ELECTRICAL GRADE CONDUIT SCHEDULE 40 PVC AND 2 HOLE STRAPS WITH A 1/4 INCH WEEP HOLE DRILLED 6 INCHES ABOVE GROUND LEVEL.
- ⑩ 1/4 INCH NYLON PULL ROPE. TIE PULL ROPE OFF AT BOTH ENDS TO PREVENT ROPE FROM PULLING OUT OF CONDUIT.

CONNECTIONS MADE BY COOPERATIVE AT COOPERATIVE POLE