



CLAVERACK RURAL ELECTRIC COOPERATIVE, INC.

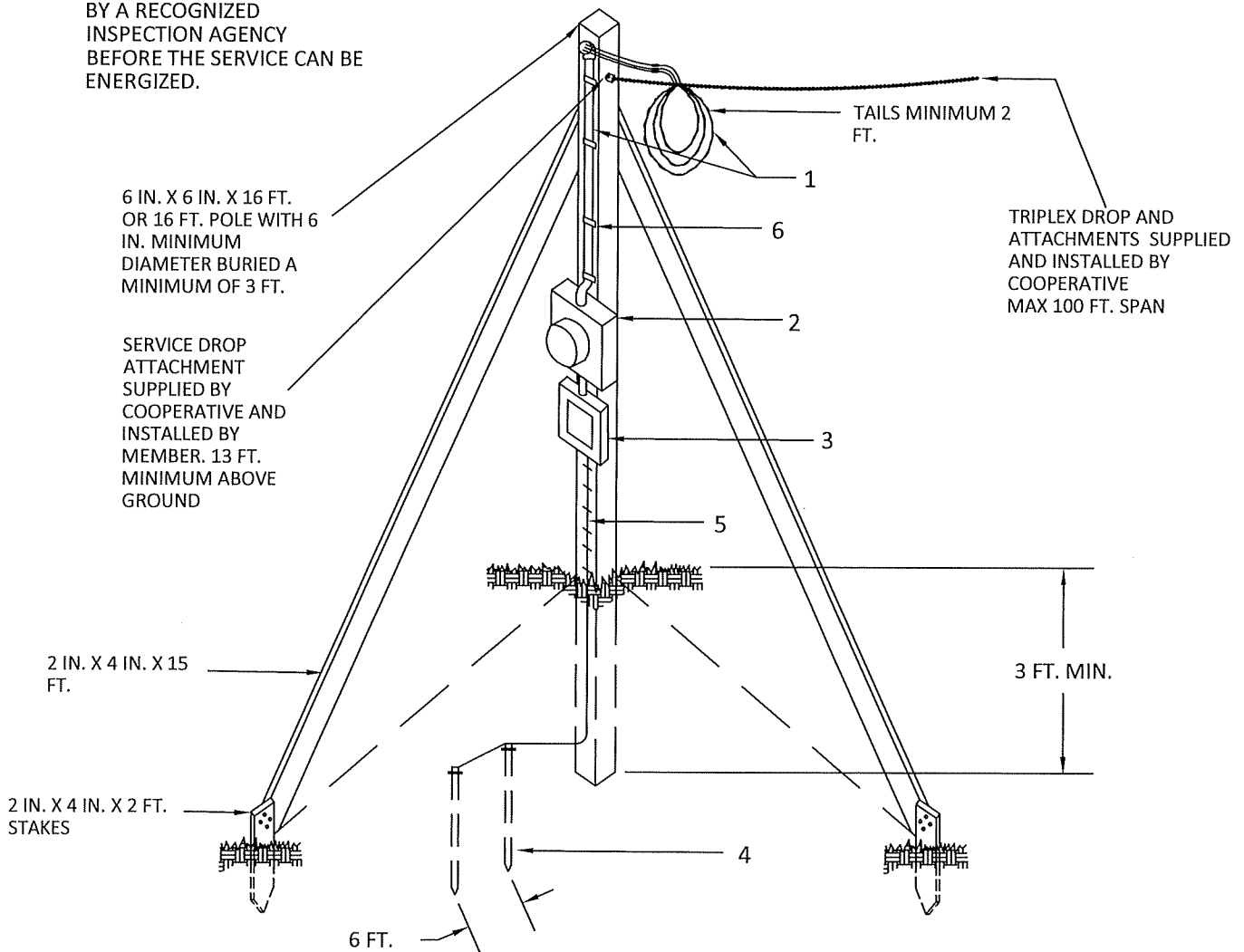
32750 ROUTE 6
WYSOX, PENNSYLVANIA 18854
www.claverack.com --- 1-800-326-9799

INSTALLATION REQUIREMENTS OF TEMPORARY SERVICE FOR CONSTRUCTION OF BUILDINGS REQUIRING AN OVERHEAD SERVICE

IMPORTANT:

ALL INSTALLATIONS MUST BE INSPECTED AND APPROVED BY A RECOGNIZED INSPECTION AGENCY BEFORE THE SERVICE CAN BE ENERGIZED.

ALL INSTALLATIONS TO BE IN ACCORDANCE WITH THE NATIONAL ELECTRICAL CODE.



1. ENTRANCE CABLE OR SERVICE ENTRANCE CONDUCTORS IN APPROVED CONDUIT WITH WEATHERHEAD.
100 AMP - #2 ALUMINUM OR #4 COPPER
200 AMP - 4/0 ALUMINUM OR 2/0 COPPER
2. MEMBER OWNED 4 JAW UL APPROVED RINGLESS TYPE METERBASE WITH WEATHER TIGHT HUBS AND BY-PASS HORNS MOUNTED 5-5.5 FT. ABOVE GROUND.
3. MEMBER OWNED SERVICE EQUIPMENT - MINIMUM 100 AMP
4. TWO (2) 5/8 IN. x 8 FT. COPPERWELD OR GALVANIZED GROUND RODS.
5. GROUND WIRE #6 BARE COPPER FOR 100 AMP INSTALLATION AND #4 BARE COPPER FOR 200 AMP INSTALLATION WHERE AVAILABLE; SERVICE SHOULD ALSO BE GROUNDED TO WELL CASING OR UNDERGROUND METALLIC WATER PIPING SYSTEM. GAS AND FUEL OIL PIPING SHALL NOT BE USED AS A GROUNDING ELECTRODE. BONDING: SEE N.E.C. ARTICLE 250.
6. CABLE STRAPS TO BE PLACED ONE (1) FOOT FROM WEATHERHEAD AND METERBASE AND AT TWO (2) FOOT INTERVALS.

*19 FT. MINIMUM OVER PUBLIC AND PRIVATE THROUGHFARES, DRIVEWAYS AND LANDS TRAVERSED BY TRUCKS.